



【SPECIFICATION FOR APPROVAL】

P/N	ACD105 Series	DATE	2020/8/9	REV	A
变更履历					
版本	变更项目	变更前内容	变更后内容	变更日期	
A	初版	—	—	2020/8/9	



【SPECIFICATION FOR APPROVAL】

P/N	ACD105 Series	DATE	2020/8/9	REV	A
-----	---------------	------	----------	-----	---

Wire Wound SMD Power Inductors–CD75 Series
Operating temperature range: -40℃~+105℃ (Including self-heating)

1.PART NUMBERING SYSTEM

ACD	105	XXX	—	X	S
1	2	3		4	5

1.SERIES NAME

2.DIMENSIONS

3.INDUCTANCE

4.TOLERANCE CODE: J:±5% K:±10% L:±15% M:±20% P:±25% N:±30%

5.INTERNAL IDENTIFICATION

2.FEATURES:

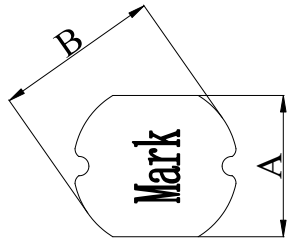
- Silver Plated Type,low cost designed
- High power, High saturation inductors
- Ideal inductors for DC-DC conversion
- Available on tape and reel for auto surfacemounting
- Takes up less PCB real estate and save more power

3.APPLICATIONS

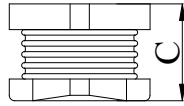
- Power supply for VTRs
- LCD televisions
- Notebook PCs
- Portable communication equipment
- DC/DC converters.etc

P/N	ACD105 Series	DATE	2020/8/9	REV	A
-----	---------------	------	----------	-----	---

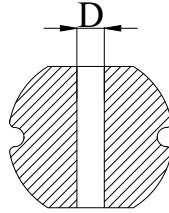
1. Appearance shape (unit : mm)



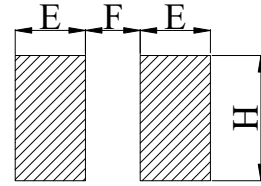
Top View



Front View



Bottom View



Recommended Land Pattern

2. Appearance size(unit : mm) Tolerance:

A	B	C	D	E	F	H				
9.00	10.00	5.40	3.00	3.75	2.50	9.50				
±0.3	±0.3	±0.3	REF	REF	REF	REF				

3. Test instruments

L: TH2826A LCR METER (or equivalent)

IDC: CH2815 LCR METER+VR7220 DC SUPPLIER (or equivalent)

DCR: HK502BC MILLIOHMMETER (or equivalent)



【SPECIFICATION FOR APPROVAL】

P/N	ACD105 Series	DATE	2020/8/9	REV	A
-----	---------------	------	----------	-----	---

4. CHARACTERISTICS

P/N	Inductance 电感	Test Frequency 测试频率 (Voltage 0.25V)	DC Resistance 直流电阻 (MAX)	Rated Current 额定电流 (MAX)	Marking 印字
Units	uH	HZ	Ω	A	
Symbol	L	F	DCR	IDC	
ACD105-1R2M-S	1.2±20%	100K	11m	9.50	1R2
ACD105-1R8M-S	1.8±20%	100K	14m	8.00	1R8
ACD105-2R5N-S	2.5±20%	100K	16m	7.30	2R5
ACD105-3R3M-S	3.3±20%	100K	18m	6.00	3R3
ACD105-3R9M-S	3.9±20%	100K	21m	6.00	3R9
ACD105-4R7M-S	4.7±20%	100K	24m	5.00	4R7
ACD105-5R6M-S	5.6±20%	100K	27m	4.00	5R6
ACD105-6R8M-S	6.8±20%	100K	30m	3.70	6R8
ACD105-8R2M-S	8.2±20%	100K	33m	3.30	8R2
ACD105-100K/M-S	10±10%/20%	1K	37m	3.00	100
ACD105-120K/M-S	12±10%/20%	1K	47m	2.40	120
ACD105-150K/M-S	15±10%/20%	1K	55m	2.20	150
ACD105-180K/M-S	18±10%/20%	1K	64m	2.00	180
ACD105-220K/M-S	22±10%/20%	1K	68m	1.90	220
ACD105-270K/M-S	27±10%/20%	1K	80m	1.70	270
ACD105-330K/M-S	33±10%/20%	1K	96m	1.50	330
ACD105-390K/M-S	39±10%/20%	1K	120m	1.37	390
ACD105-470K/M-S	47±10%/20%	1K	140m	1.28	470
ACD105-560K/M-S	56±10%/20%	1K	160m	1.17	560
ACD105-680K/M-S	68±10%/20%	1K	0.21	1.11	680
ACD105-820K/M-S	82±10%/20%	1K	0.24	1.00	820
ACD105-101K/M-S	100±10%/20%	1K	0.30	0.97	101
ACD105-121K/M-S	120±10%/20%	1K	0.36	0.89	121
ACD105-151K/M-S	150±10%/20%	1K	0.43	0.78	151
ACD105-181K/M-S	180±10%/20%	1K	0.52	0.72	181
ACD105-221K/M-S	220±10%/20%	1K	0.60	0.66	221
ACD105-271K/M-S	270±10%/20%	1K	0.75	0.57	271
ACD105-331K/M-S	330±10%/20%	1K	0.89	0.52	331
ACD105-391K/M-S	390±10%/20%	1K	1.14	0.48	391
ACD105-471K/M-S	470±10%/20%	1K	1.30	0.42	471
ACD105-561K/M-S	560±10%/20%	1K	1.51	0.33	561
ACD105-681K/M-S	680±10%/20%	1K	1.91	0.28	681
ACD105-821K/M-S	820±10%/20%	1K	2.18	0.24	821
ACD105-102K/M-S	1000±10%/20%	1K	2.65	0.22	102

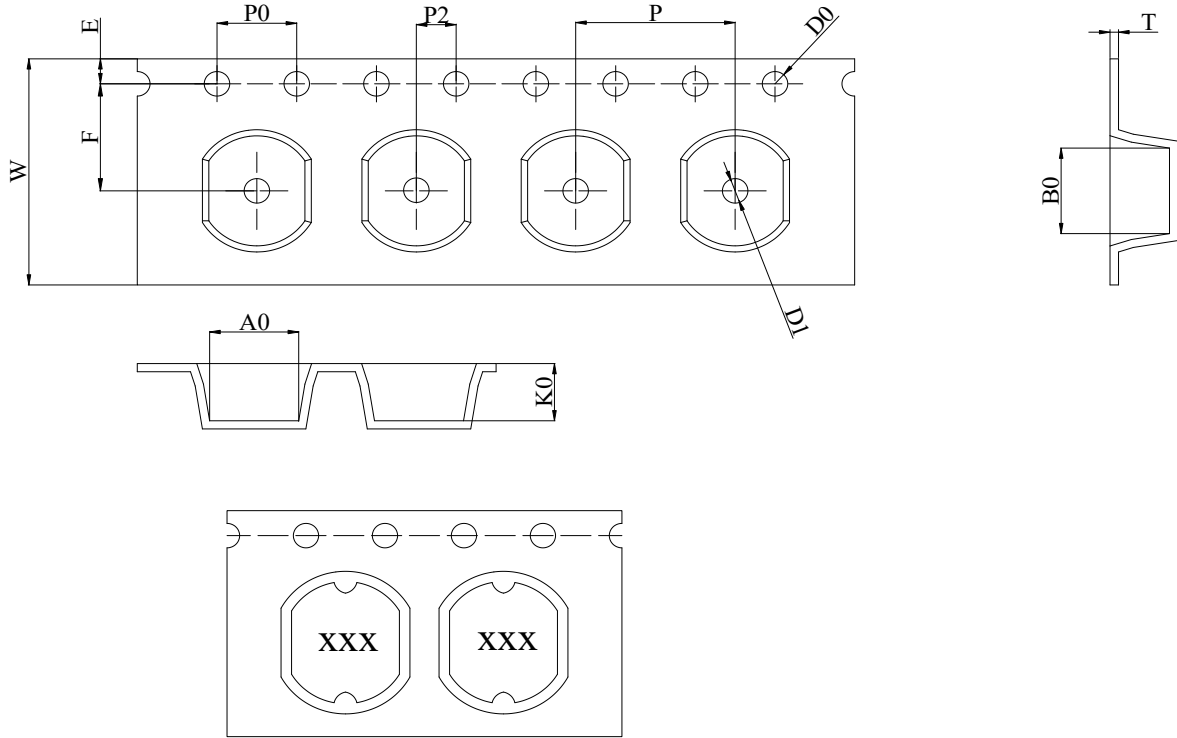
※1: All test data is referenced to 20°C ambient;

※2: Rated current: The DC current at which the inductance decreases to 90% of its initial value or when ($\Delta T = 40^\circ C$), whichever is lower ($T_a = 20^\circ C$);

P/N	ACD105 Series	DATE	2020/8/9	REV	A
-----	---------------	------	----------	-----	---

1.DIMENSIONS FOR CARRIER TAPES:

ITEM	W	A0	B0	K0	K1	P	F	E	D0	D1	P0	P2	T
DIM	16.00	7.4	8.0	5.40	0.00	12.0	7.50	1.75	1.50	0.00	4.00	2.00	0.40
	+0.3	+0.1	+0.1	+0.1	+0.0	+0.1	+0.1	+0.1	+0.1	+0.0	+0.1	+0.1	+0.05
	-0.3	-0.1	-0.1	-0.1	-0.0	-0.1	-0.1	-0.1	-0.0	-0.0	-0.1	-0.1	-0.05



2.PACKING(mm)

载带宽度 (W)	间距 (P)	卷 (PCS) 13inch	3卷/2袋 (PCS)	2袋/内箱 (PCS)	5内箱/外箱 (PCS)
24mm	12mm	800	1600	1600	8000

备注:

1. 包装袋规格: 375*400mm (REF.) .
2. 内箱规格: 340*70*340mm (REF.) .
3. 外箱规格: 375*360*360mm (REF.) .