



【SPECIFICATION FOR APPROVAL】

SAN TUO P/N	NR6020 Series	DATE	2015.08.07	REV	A
-------------	---------------	------	------------	-----	---

变更履历

版本	变更项目	变更前内容	变更后内容	变更日期
A	初版	—	—	2015.08.07



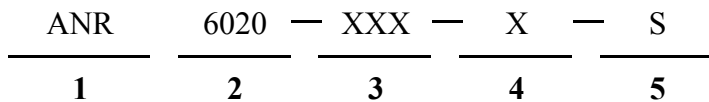
【 SPECIFICATION FOR APPROVAL 】

SAN TUO P/N	NR6020 Series	DATE	2015.08.07	REV	A
-------------	---------------	------	------------	-----	---

Wire Wound SMD Power Inductors–ANR Series

Operating temperature range: -40℃~+125℃ (Including self-heating)

1.PART NUMBERING SYSTEM



1.SERIES NAME

2.DIMENSIONS

3.TYPE

4.INDUCTANCE

5.TOLERANCE CODE: J:±5% K:±10% L:±15% M:±20% P:±25% N:±30%

6.INTERNAL IDENTIFICATION

2.FEATURES:

- Magnetic-resin shielded coANRuction reduces buzz noise to ultra-low levels
- Metallization on ferrite core results in excellent shock resistance and damage-free durability
- Closed magnetic circuit design reduces leakage flux and Electro Magnetic Interference (EMI)
- 30% higher current rating than conventional inductors of equal size
- Takes up less PCB real estate and save more power

3.APPLICATIONS

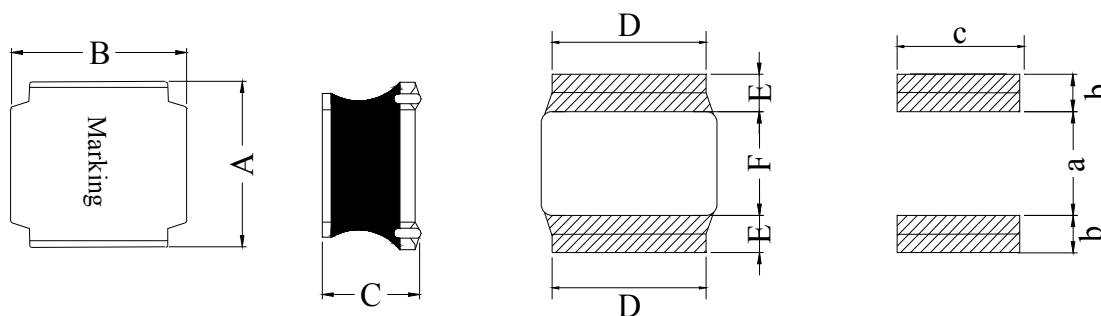
- LED Lighting
- Next-generation mobile devices with multifunction such as mobile TV and digital movie cameras
- Flat-screen TVs, blue-ray disc recorders, set top box
- Notebooks, desktop computers, servers, graphic cards cards
- Portable gaming devices, personal navigation systems, personal multimedia devices
- Automotive systems
- Telecomm base stations



【SPECIFICATION FOR APPROVAL】

SAN TUO P/N	NR6020 Series	DATE	2015.08.07	REV	A
-------------	---------------	------	------------	-----	---

1. Appearance shape (unit : mm)



Top View

Front View

Bottom View

Recommended Land Pattern

2. Appearance size(unit : mm) Tolerance:

A	B	C	D	E	F	a	b	c		
6.0±0.3	6.0±0.3	2.1Max	4.9Typ	1.70Typ	2.6Typ	2.8Typ.	1.7Typ.	5.7Typ.		

3. Test instruments

L: TH2826A LCR METER (or equivalent)

Isat: CH2815 LCR METER+VR7220 DC SUPPLIER (or equivalent)

DCR: HK502BC MILLIOHMMETER (or equivalent)



【 SPECIFICATION FOR APPROVAL 】

SAN TUO P/N	NR6020 Series	DATE	2015.08.07	REV	A
-------------	---------------	------	------------	-----	---

4. CHARACTERISTICS

P/N	Inductance 电感 @100KHz,1V	DC Resistance 直流电阻 (±30%)	Saturation Current 饱和电流	Heat Rating Current 温升电流	Marking 印字
Units	uH	Ω	A	A	
Symbol	L	DCR	Isat	Irms	
ANR6020-1R0N	1.0±30%	0.020	4.30	3.50	1R0
ANR6020-1R5N	1.5±30%	0.025	4.25	3.20	1R5
ANR6020-2R2N	2.2±30%	0.035	3.75	2.75	2R2
ANR6020-3R3N	3.3±30%	0.045	3.15	2.60	3R3
ANR6020-4R7N	4.7±30%	0.058	3.00	2.00	4R7
ANR6020-5R6M	5.6±20%	0.070	2.40	1.90	5R6
ANR6020-6R8M	6.8±20%	0.085	2.20	1.80	6R8
ANR6020-100M	10±20%	0.120	1.75	1.40	100
ANR6020-150M	15±20%	0.160	1.50	1.20	150
ANR6020-220M	22±20%	0.240	1.25	1.00	220
ANR6020-270M	27±20%	0.350	1.15	0.95	270
ANR6020-330M	33±20%	0.400	1.10	0.90	330
ANR6020-470M	47±20%	0.500	1.00	0.80	470

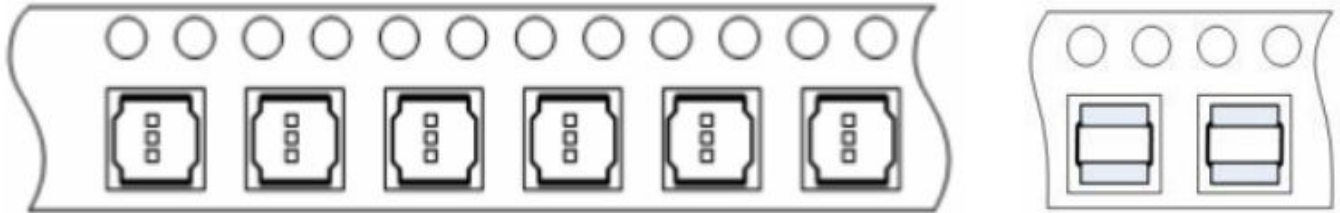
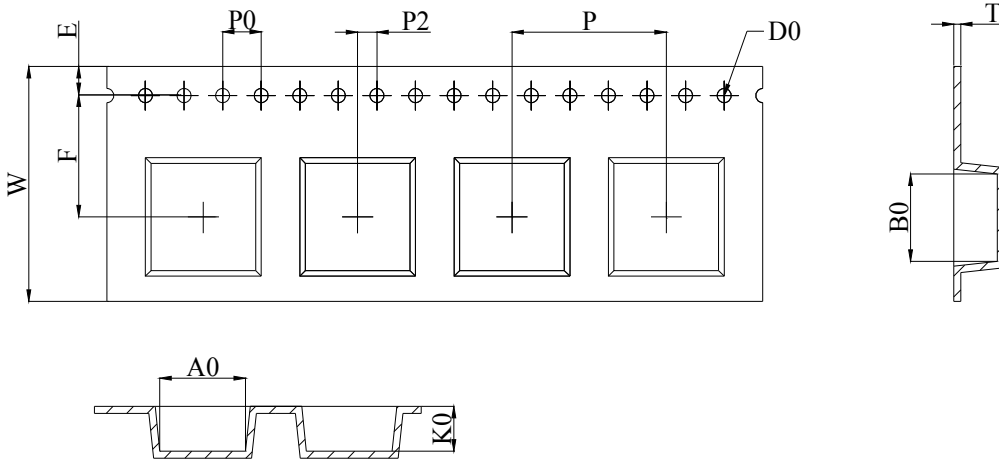
※1: All test data is referenced to 20° C ambient;
 ※2: Rated current: Isat or Irms, whichever is smaller;
 ※*3: Isat: DC current at which the inductance drops approximate 30% from its value without current;
 ※*4: Irms: DC current that causes the temperature rise (ΔT =40° C) from 20° C ambient.

【SPECIFICATION FOR APPROVAL】

SAN TUO P/N	NR6020 Series	DATE	2015.08.07	REV	A
-------------	---------------	------	------------	-----	---

1.DIMENSIONS FOR CARRIER TAPES:

ITEM	W	A0	B0	K0	K1	P	F	E	D0	D1	P0	P2	T
DIM	16.00	6.30	6.30	2.2	0.00	8.00	7.50	1.75	1.50	1.50	4.00	2.00	0.4
	+0.3	+0.1	+0.1	+0.1	+0.0	+0.1	+0.15	+0.1	+0.1	+0.1	+0.1	+0.1	+0.05
	-0.3	-0.1	-0.1	-0.1	-0.0	-0.1	-0.15	-0.1	-0.0	-0.0	-0.1	-0.1	-0.05



2.PACKING(mm)

载带宽度 (W)	间距 (P)	卷(PCS) 13inch	3卷/2袋 (PCS)	2袋/内箱 (PCS)	5内箱/外箱 (PCS)
16mm	8mm	3000	9000	9000	45000

备注:

1. 包装袋规格: 375*400mm (REF.) .
2. 内箱规格: 340*70*340mm (REF.) .
3. 外箱规格: 375*360*360mm (REF.) .