





# 【SPECIFICATION FOR APPROVAL】

SAN TUO P/N	ACD32 Series	DATE	2016-10-15	REV	A
-------------	--------------	------	------------	-----	---

## Wire Wound SMD Power Inductors—CD32 Series

Operating temperature range: -40°C~+105°C (Including self-heating)

### 1.PART NUMBERING SYSTEM

ACD	32	XXX	—	X	S
1	2	3		4	5

1.SERIES NAME

2.DIMENSIONS

3.INDUCTANCE

4.TOLERANCE CODE: J:±5% K:±10% L:±15% M:±20% P:±25% N:±30%

5.INTERNAL IDENTIFICATION

### 2.FEATURES:

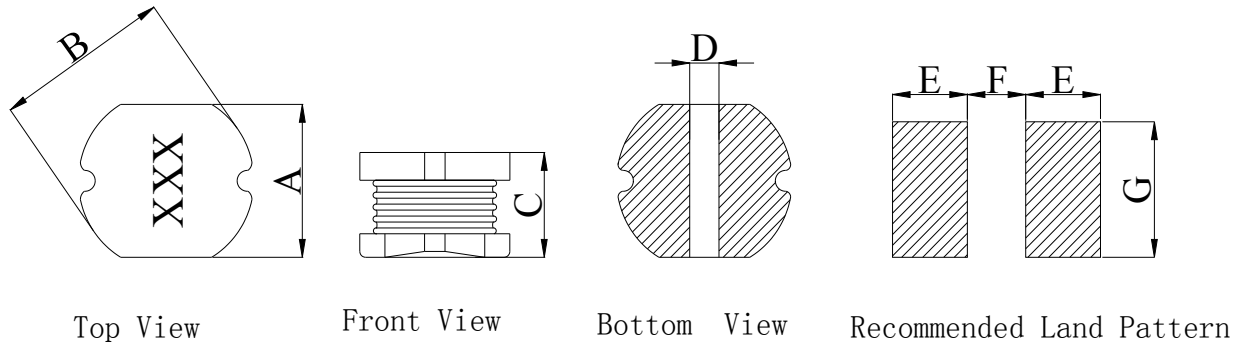
- Silver Plated Type,low cost designed
- High power, High saturation inductors
- Ideal inductors for DC-DC conversion
- Available on tape and reel for auto surfacemounting
- Takes up less PCB real estate and save more power

### 3.APPLICATIONS

- Power supply for VTRs
- LCD televisions
- Notebook PCs
- Portable communication equipment
- DC/DC converters.etc

SAN TUO P/N	ACD32 Series	DATE	2016-10-15	REV	A
-------------	--------------	------	------------	-----	---

## 1. Appearance shape (unit : mm)



## 2. Appearance size(unit : mm) Tolerance:

A	B	C	D	E	F	G				
3.00	3.50	2.10	1.00	1.45	1.00	3.20				
±0.3	±0.3	±0.3	REF	REF	REF	REF				

## 3. Test instruments

L: TH2826A LCR METER (or equivalent)

IDC: CH2815 LCR METER+VR7220 DC SUPPLIER (or equivalent)

DCR: HK502BC MILLIOHMMETER (or equivalent)



# 【SPECIFICATION FOR APPROVAL】

SAN TUO P/N	ACD32 Series	DATE	2016-10-15	REV	A
-------------	--------------	------	------------	-----	---

## 4. CHARACTERISTICS

SAN TUO P/N	Inductance 电感	Test Frequency 测试频率 (Voltage 0.25V)	DC Resistance 直流电阻 (MAX)	Rated Current 额定电流 (MAX)	Marking 印字
Units	uH	HZ	Ω	A	
Symbol	L	F	DCR	IDC	
ACD32-1R0M-S	1.0±20%	100KHz	45m	2.50	1R0
ACD32-1R4M-S	1.4±20%	100KHz	55m	2.40	1R4
ACD32-1R5M-S	1.5±20%	100KHz	55m	2.40	1R5
ACD32-1R8M-S	1.8±20%	100KHz	70m	2.20	1R8
ACD32-2R2M-S	2.2±20%	100KHz	85m	2.00	2R2
ACD32-2R5M-S	2.5±20%	100KHz	85m	1.80	2R5
ACD32-3R3M-S	3.3±20%	100KHz	120m	1.70	3R3
ACD32-3R9M-S	3.9±20%	100KHz	125m	1.50	3R9
ACD32-4R7M-S	4.7±20%	100KHz	135m	1.40	4R7
ACD32-5R6M-S	5.6±20%	100KHz	145m	1.25	5R6
ACD32-6R8M-S	6.8±20%	100KHz	0.20	1.20	6R8
ACD32-8R2M-S	8.2±20%	100KHz	0.25	1.05	8R2
ACD32-100M-S	10±20%	1KHz	0.32	0.95	100
ACD32-120M-S	12±20%	1KHz	0.35	0.85	120
ACD32-150M-S	15±20%	1KHz	0.46	0.75	150
ACD32-220M-S	22±20%	1KHz	0.65	0.60	220
ACD32-270M-S	27±20%	1KHz	0.75	0.55	270
ACD32-330M-S	33±20%	1KHz	0.92	0.50	330
ACD32-390M-S	39±20%	1KHz	1.12	0.48	390
ACD32-470M-S	47±20%	1KHz	1.27	0.45	470
ACD32-560M-S	56±20%	1KHz	1.50	0.30	560
ACD32-680M-S	68±20%	1KHz	2.00	0.26	680
ACD32-820M-S	82±20%	1KHz	2.15	0.23	820
ACD32-101M-S	100±10%	1KHz	2.80	0.20	101
ACD32-121K-S	120±10%	1KHz	3.40	0.18	121
ACD32-151K-S	150±10%	1KHz	4.20	0.16	151
ACD32-171K-S	170±10%	1KHz	4.50	0.15	171
ACD32-181K-S	180±10%	1KHz	4.50	0.15	181
ACD32-221K-S	220±10%	1KHz	6.50	0.14	221
ACD32-271K-S	270±10%	1KHz	8.50	0.10	271
ACD32-331K-S	330±10%	1KHz	9.50	0.09	331
ACD32-391K-S	390±10%	1KHz	12.00	0.08	391
ACD32-471K-S	470±10%	1KHz	13.00	0.08	471
ACD32-561K-S	560±10%	1KHz	15.00	0.07	561
ACD32-681K-S	680±10%	1KHz	16.00	0.06	681

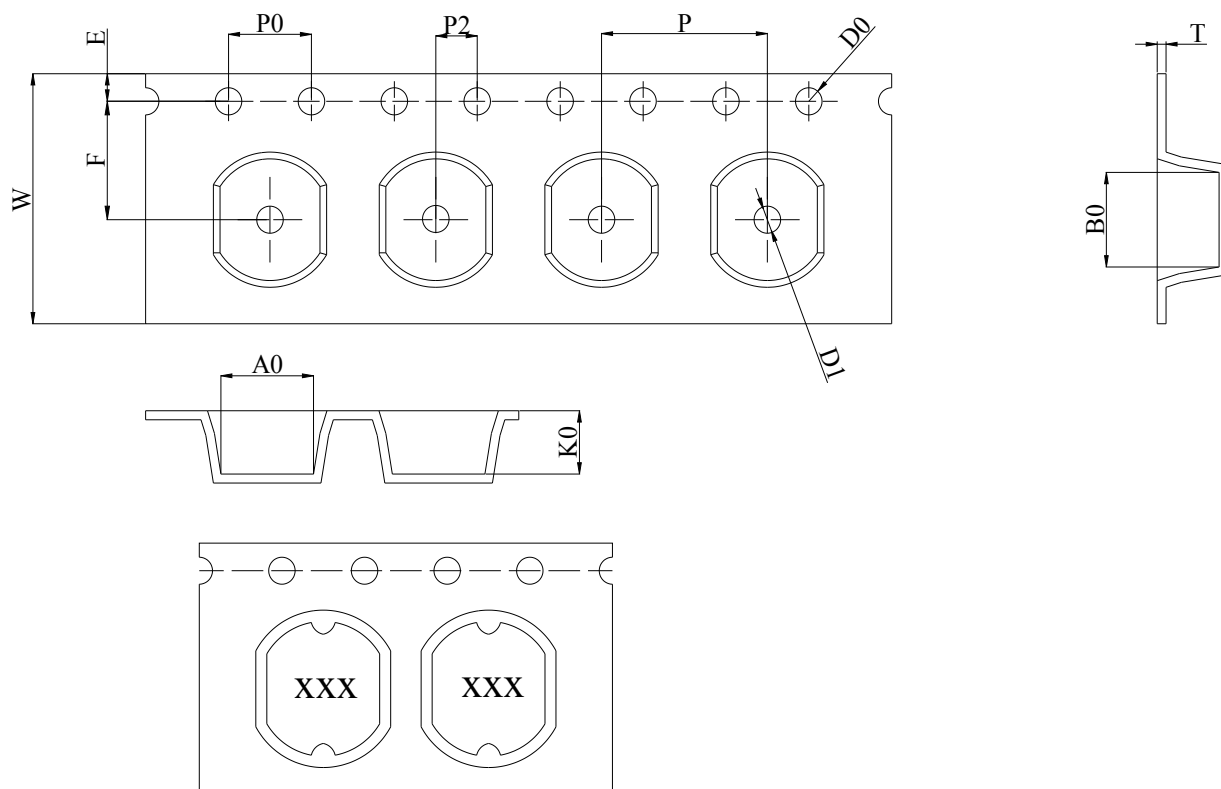
※1: All test data is referenced to 20°C ambient;

※2: Rated current: The DC current at which the inductance decreases to 90% of its initial value or when ( $\Delta T = 40^\circ\text{C}$ ), whichever is lower ( $T_a = 20^\circ\text{C}$ );

SAN TUO P/N	ACD32 Series	DATE	2016-10-15	REV	A
-------------	--------------	------	------------	-----	---

## 1.DIMENSIONS FOR CARRIER TAPES:(unit:mm)

ITEM	W	A0	B0	K0	P	F	E	DO	D1	P0	P2	T
DIM	12.00 +0.3 -0.3	3.5	4.0	2.8	8.00 +0.1 -0.1	5.50 +0.1 -0.1	1.75 +0.1 -0.1	1.50 +0.1 -0.0	0.00 +0.0 -0.0	4.00 +0.1 -0.1	2.00 +0.1 -0.1	0.28 +0.05 -0.05



## 2.PACKING(mm)

载带宽度 (W)	间距 (P)	卷(PCS) 13inch	4卷/2袋 (PCS)	2袋/内箱 (PCS)	5内箱/外箱 (PCS)
12mm	8mm	3000	12000	12000	60000

备注:

- 1.包装袋规格: 375\*400mm (REF.) .
- 2.内箱规格: 340\*70\*340mm (REF.) .
- 3.外箱规格: 375\*360\*360mm (REF.) .