



【SPECIFICATION FOR APPROVAL】

SAN TUO P/N	ACD43 Series	DATE	2016-2-20	REV	A
-------------	--------------	------	-----------	-----	---

Wire Wound SMD Power Inductors—CD75 Series

Operating temperature range: -40°C~+105°C (Including self-heating)

1.PART NUMBERING SYSTEM

ACD	43	XXX	—	X	S
1	2	3		4	5

1.SERIES NAME

2.DIMENSIONS

3.INDUCTANCE

4.TOLERANCE CODE: J:±5% K:±10% L:±15% M:±20% P:±25% N:±30%

5.INTERNAL IDENTIFICATION

2.FEATURES:

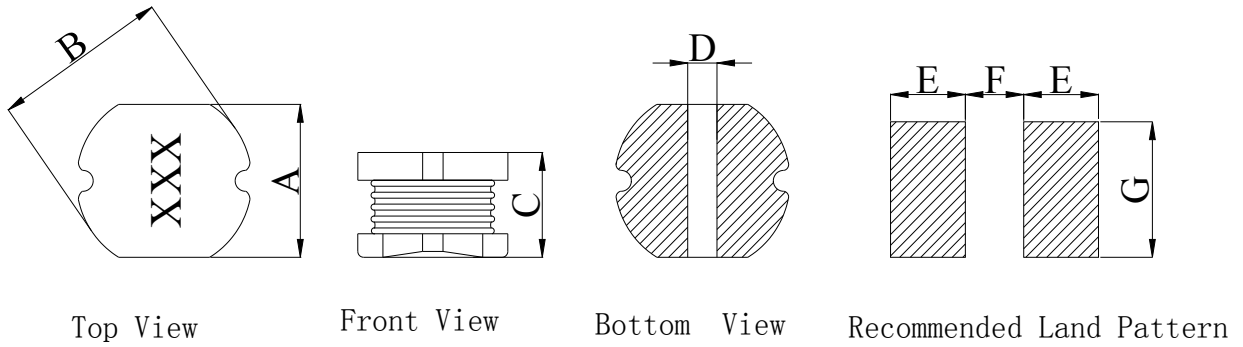
- Silver Plated Type,low cost designed
- High power, High saturation inductors
- Ideal inductors for DC-DC conversion
- Available on tape and reel for auto surfacemounting
- Takes up less PCB real estate and save more power

3.APPLICATIONS

- Power supply for VTRs
- LCD televisions
- Notebook PCs
- Portable communication equipment
- DC/DC converters.etc

SAN TUO P/N	ACD43 Series	DATE	2016-2-20	REV	A
-------------	--------------	------	-----------	-----	---

1. Appearance shape (unit : mm)



2. Appearance size(unit : mm) Tolerance:

A	B	C	D	E	F	G				
4.00	4.50	3.20	1.50	1.75	1.50	4.50				
±0.3	±0.3	±0.3	REF	REF	REF	REF				

3. Test instruments

L: TH2826A LCR METER (or equivalent)

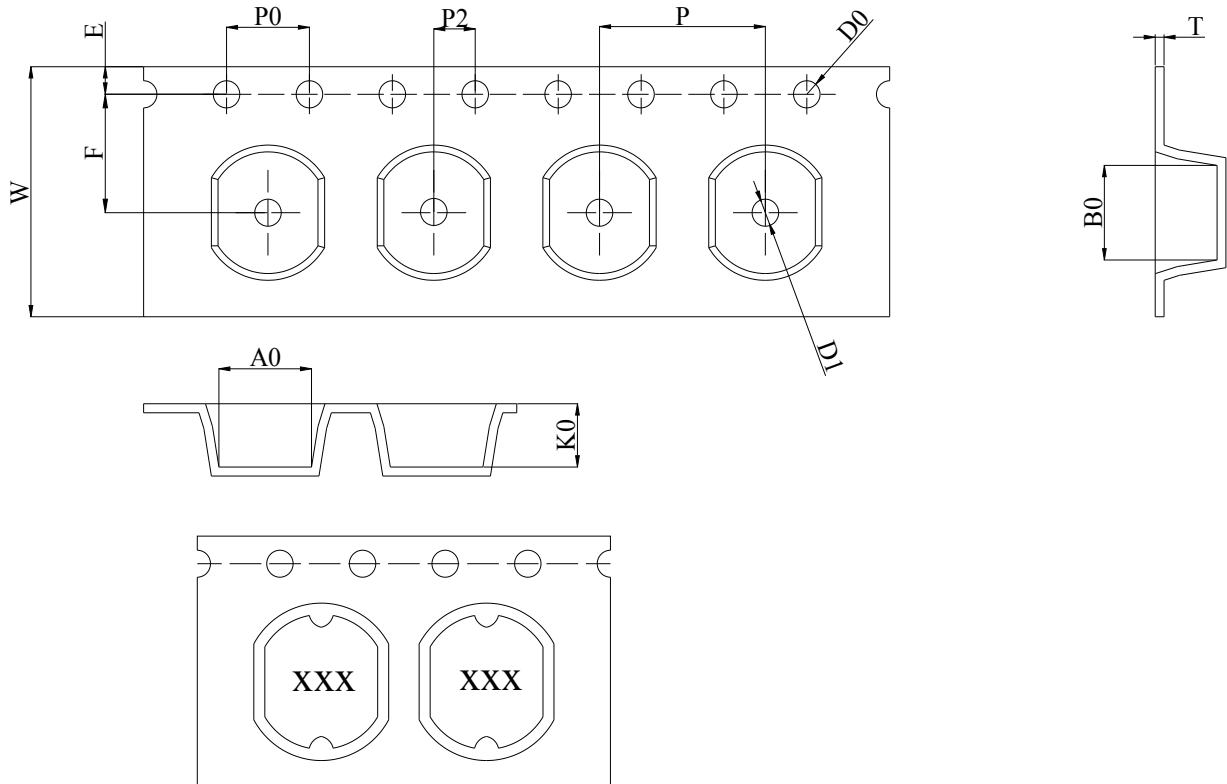
IDC: CH2815 LCR METER+VR7220 DC SUPPLIER (or equivalent)

DCR: HK502BC MILLIOHMMETER (or equivalent)

SAN TUO P/N	ACD43 Series	DATE	2016-2-20	REV	A
-------------	--------------	------	-----------	-----	---

1.DIMENSIONS FOR CARRIER TAPES:(unit:mm)

ITEM	W	A0	B0	K0	K1	P	F	E	D0	D1	P0	P2	T
DIM	12.00 +0.3 -0.3	4.20	4.80	3.70	3.40	8.00 +0.1 -0.1	5.50 +0.1 -0.1	1.75 +0.1 -0.1	1.50 +0.1 -0.0	0.00 +0.0 -0.0	4.00 +0.1 -0.1	2.00 +0.1 -0.1	0.35 +0.05 -0.05



2.PACKING(mm)

载带宽度 (W)	间距 (P)	卷(PCS) 13inch	4卷/2袋 (PCS)	2袋/内箱 (PCS)	5内箱/外箱 (PCS)
12mm	8mm	2000	8000	8000	40000

备注:

- 1.包装袋规格: 375*400mm (REF.) .
- 2.内箱规格: 340*70*340mm (REF.) .
- 3.外箱规格: 375*360*360mm (REF.) .