



【SPECIFICATION FOR APPROVAL】

SAN TUO P/N	ACD75 Series	DATE	2016-1-4	REV	A
-------------	--------------	------	----------	-----	---

Wire Wound SMD Power Inductors—CD75 Series

Operating temperature range: -40°C~+105°C (Including self-heating)

1.PART NUMBERING SYSTEM

ACD	75	XXX	—	X	S
1	2	3		4	5

1.SERIES NAME

2.DIMENSIONS

3.INDUCTANCE

4.TOLERANCE CODE: J:±5% K:±10% L:±15% M:±20% P:±25% N:±30%

5.INTERNAL IDENTIFICATION

2.FEATURES:

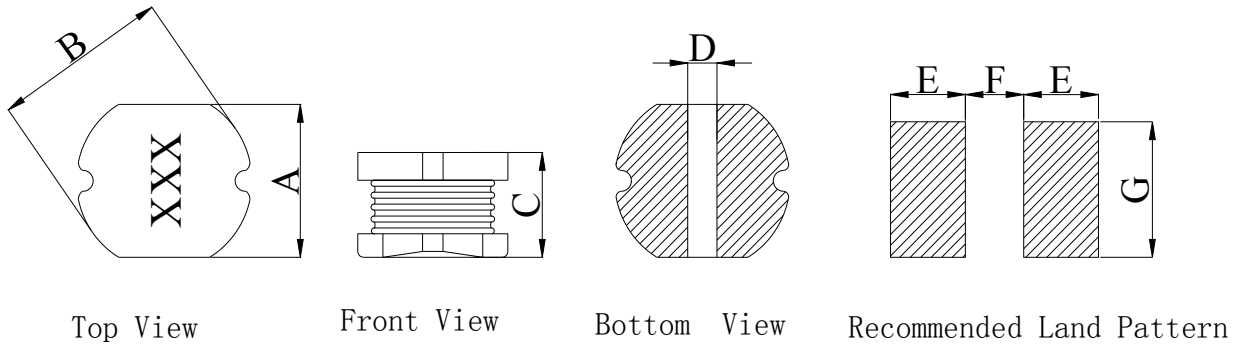
- Silver Plated Type,low cost designed
- High power, High saturation inductors
- Ideal inductors for DC-DC conversion
- Available on tape and reel for auto surfacemounting
- Takes up less PCB real estate and save more power

3.APPLICATIONS

- Power supply for VTRs
- LCD televisions
- Notebook PCs
- Portable communication equipment
- DC/DC converters.etc

SAN TUO P/N	ACD75 Series	DATE	2016-1-4	REV	A
-------------	--------------	------	----------	-----	---

1. Appearance shape (unit : mm)



2. Appearance size(unit : mm) Tolerance:

A	B	C	D	E	F	G				
7.0	7.8	5.0	2.1	3.0	2.0	7.5				
±0.3	±0.3	±0.3	REF	REF	REF	REF				

3. Test instruments

L: TH2826A LCR METER (or equivalent)

IDC: CH2815 LCR METER+VR7220 DC SUPPLIER (or equivalent)

DCR: HK502BC MILLIOHMMETER (or equivalent)



【SPECIFICATION FOR APPROVAL】

SAN TUO P/N	ACD75 Series	DATE	2016-1-4	REV	A
-------------	--------------	------	----------	-----	---

4. CHARACTERISTICS

SAN TUO P/N	Inductance 电感	Test Frequency 测试频率 (Voltage 0.25V)	DC Resistance 直流电阻 (MAX)	Rated Current 额定电流 (MAX)	Marking 印字
Units	uH	HZ	Ω	A	
Symbol	L	F	DCR	IDC	
ACD75-1R0N-S	1.0±30%	100K	15m	6.80	1R0
ACD75-1R5N-S	1.5±30%	100K	17m	6.00	1R5
ACD75-2R2M-S	2.2±20%	100K	20m	5.00	2R2
ACD75-3R3M-S	3.3±20%	100K	25m	4.00	3R3
ACD75-3R9M-S	3.9±20%	100K	28m	3.60	3R9
ACD75-4R7M-S	4.7±20%	100K	30m	3.30	4R7
ACD75-5R6M-S	5.6±20%	100K	35m	3.00	5R6
ACD75-6R8M-S	6.8±20%	100K	40m	2.80	6R8
ACD75-7R5M-S	7.5±20%	100K	45m	2.60	7R5
ACD75-8R2M-S	8.2±20%	100K	50m	2.45	8R2
ACD75-100M-S	10±20%	1K	70m	2.30	100
ACD75-120M-S	12±20%	1K	80m	2.00	120
ACD75-150M-S	15±20%	1K	90m	1.80	150
ACD75-180M-S	18±20%	1K	0.10	1.60	180
ACD75-220M-S	22±20%	1K	0.11	1.50	220
ACD75-270K-S	27±20%	1K	0.12	1.30	270
ACD75-330K-S	33±10%	1K	0.13	1.20	330
ACD75-390K-S	39±10%	1K	0.16	1.10	390
ACD75-470K-S	47±10%	1K	0.18	1.10	470
ACD75-560K-S	56±10%	1K	0.24	0.94	560
ACD75-680K-S	68±10%	1K	0.28	0.85	680
ACD75-820K-S	82±10%	1K	0.37	0.78	820
ACD75-101K-S	100±10%	1K	0.43	0.72	101
ACD75-121K-S	120±10%	1K	0.47	0.66	121
ACD75-151K-S	150±10%	1K	0.64	0.58	151
ACD75-181K-S	180±10%	1K	0.71	0.51	181
ACD75-221K-S	220±10%	1K	0.96	0.49	221
ACD75-271K-S	270±10%	1K	1.11	0.42	271
ACD75-331K-S	330±10%	1K	1.26	0.40	331
ACD75-391K-S	390±10%	1K	1.77	0.36	391
ACD75-471K-S	470±10%	1K	1.96	0.34	471
ACD75-561K-S	560±10%	1K	2.35	0.32	561
ACD75-681K-S	680±10%	1K	2.80	0.30	681
ACD75-821K-S	820±10%	1K	3.20	0.28	821
ACD75-102K-S	1000±10%	1K	4.00	0.23	102

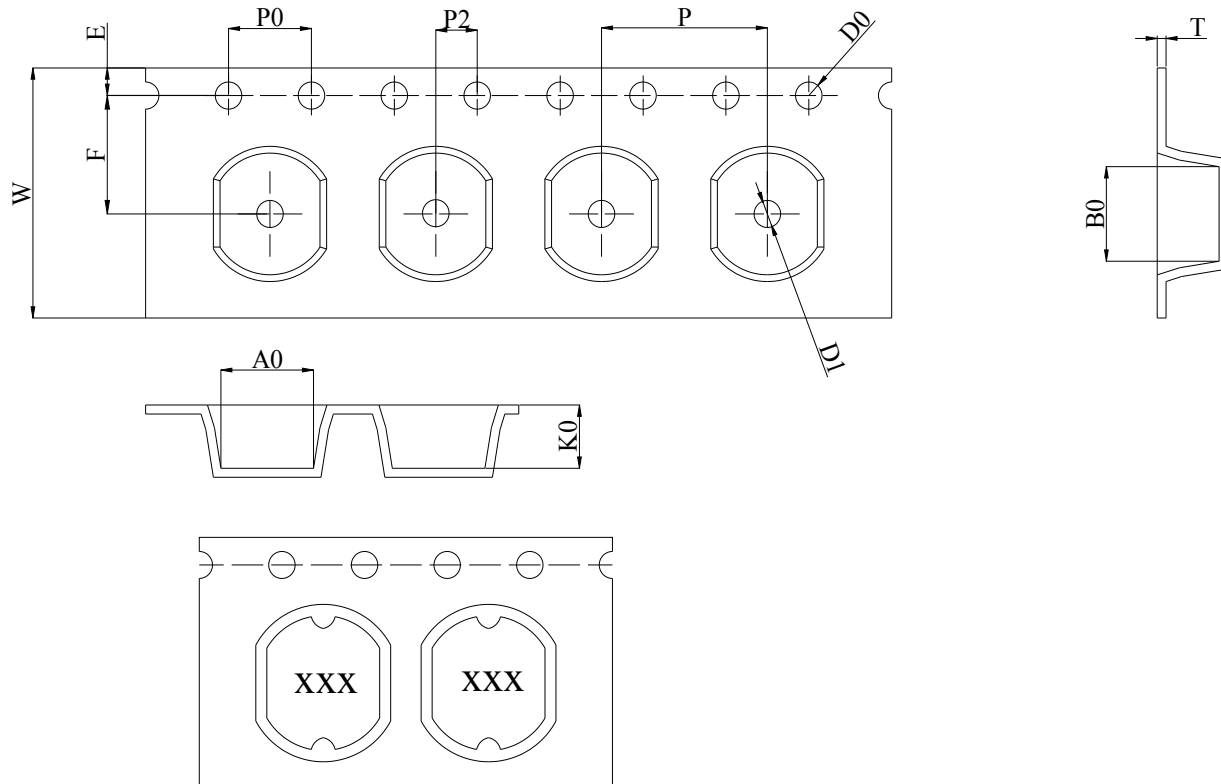
※1: All test data is referenced to 20°C ambient;

※2: Rated current: The DC current at which the inductance decreases to 90% of its initial value or when ($\Delta T = 40^\circ\text{C}$), whichever is lower ($T_a = 20^\circ\text{C}$);

SAN TUO P/N	ACD75 Series	DATE	2016-1-4	REV	A
-------------	--------------	------	----------	-----	---

1.DIMENSIONS FOR CARRIER TAPES:

ITEM	W	A0	B0	K0	K1	P	F	E	D0	D1	P0	P2	T
DIM	16.00	7.4	8.0	5.40	0.00	12.0	7.50	1.75	1.50	0.00	4.00	2.00	0.40
	+0.3	+0.1	+0.1	+0.1	+0.0	+0.1	+0.1	+0.1	+0.1	+0.0	+0.1	+0.1	+0.05
	-0.3	-0.1	-0.1	-0.1	-0.0	-0.1	-0.1	-0.1	-0.0	-0.0	-0.1	-0.1	-0.05



2.PACKING(mm)

载带宽度 (W)	间距 (P)	卷 (PCS) 13inch	3卷/2袋 (PCS)	2袋/内箱 (PCS)	5内箱/外箱 (PCS)
16mm	8mm	1000	3000	3000	15000

备注:

1. 包装袋规格: 375*400mm (REF.) .
2. 内箱规格: 340*70*340mm (REF.) .
3. 外箱规格: 375*360*360mm (REF.) .