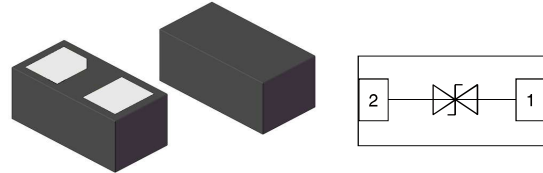


## Low Capacitance ESD Protection Diode in DFN0603

### Features

- 40Watts peak pulse power ( $t_p = 8/20\mu s$ )
- Tiny DFN0603 package
- Bidirectional configurations
- R2R + Zener technology
- Low clamping voltage
- Low leakage current
- Low capacitance ( $C_j = 2.7pF$  typ.)
- Protection one data/power line to:
  - IEC 61000-4-2  $\pm 10kV$  contact  $\pm 15kV$  air
  - IEC 61000-4-4 (EFT) 40A (5/50ns)
  - IEC 61000-4-5 (Lightning) 3.5A (8/20 $\mu s$ )



### Mechanical Data

- **Case:** DFN0603 (plastic package).  
Lead free; RoHS compliant
- **Molding Compound Flammability Rating:**  
UL 94 V-0
- **Terminals:** High temperature soldering guaranteed:  
260 °C/10 sec. at terminals

### Applications

- Cell Phone Handsets and Accessories
- Microprocessor based equipment
- Personal Digital Assistants (PDA's)
- Notebooks, Desktops, and Servers
- Portable Instrumentation

### Absolute Maximum Ratings

Ratings at 25 °C, ambient temperature unless otherwise specified

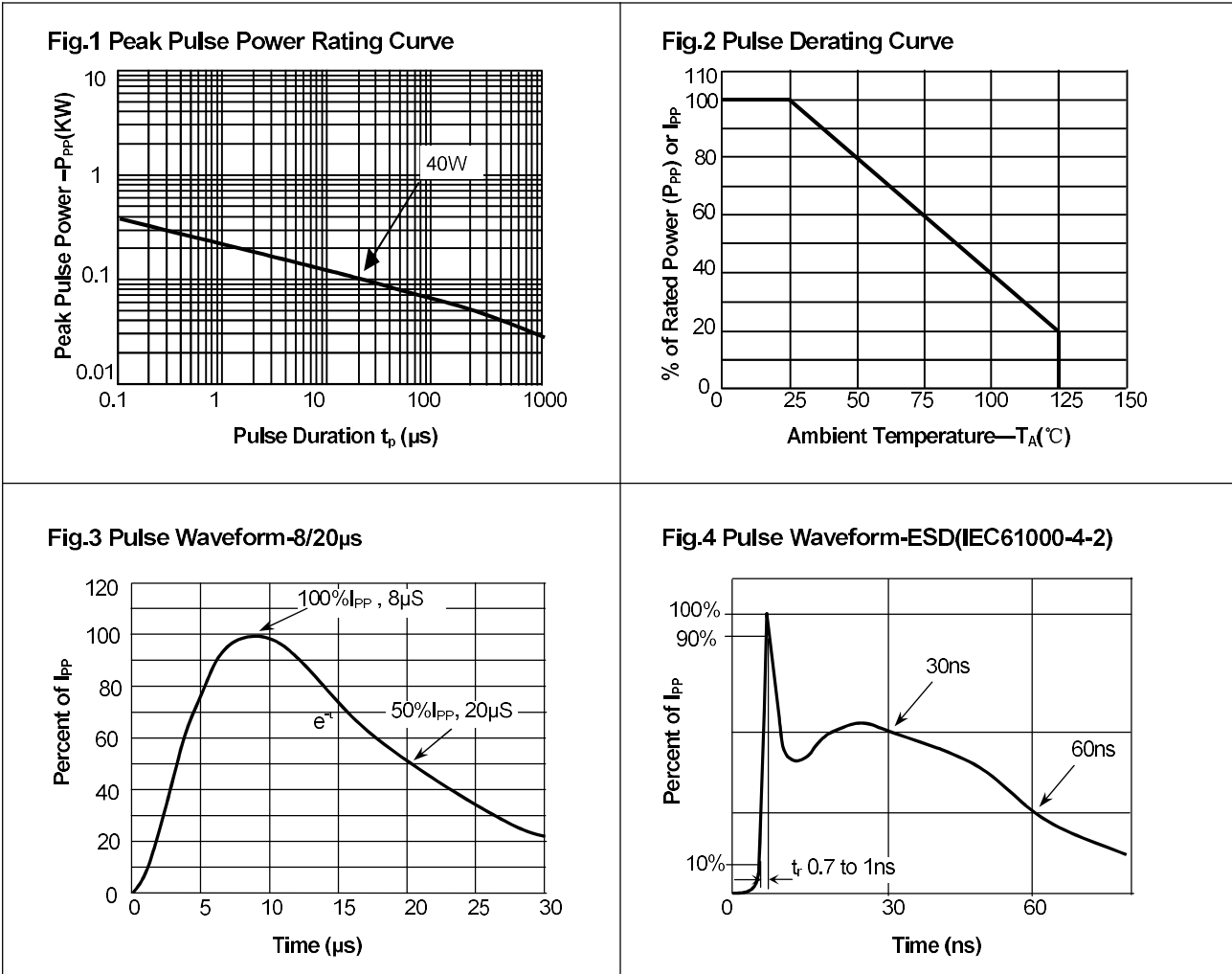
Parameter	Symbol	Value	Unit
Peak Pulse Power ( $T_p=8/20\mu s$ )	$P_{PP}$	40	W
ESD contact/air discharge (IEC-61000-4-2)	$V_{ESD}$	10/15	kV
Peak Pulse Current ( $t_p = 8/20\mu s$ )	$I_{PP}$	3.5	A
Junction Temperature	$T_J$	-55 to +125	°C
Storage temperature	$T_{STG}$	-55 to +150	°C
Maximum Lead Solder Temperature(10 second duration)	$T_L$	260	°C

### Electrical Characteristics

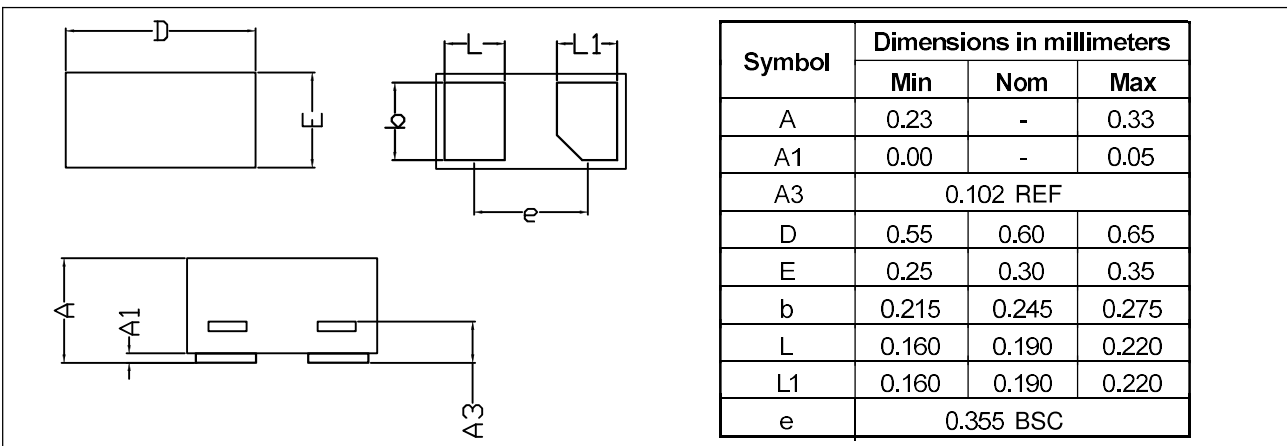
( $T_A = 25$  °C unless otherwise specified)

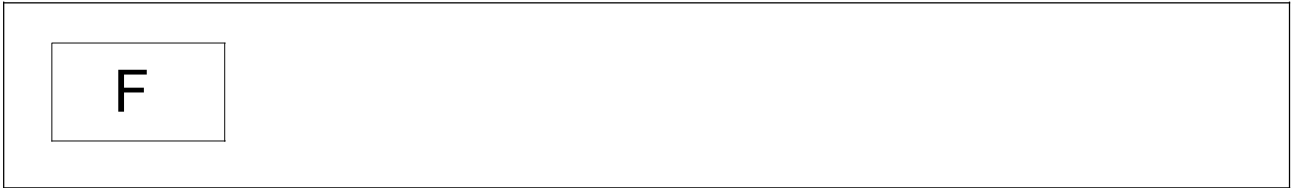
Parameter	Symbol	Condition	Min	Typ	Max	Unit
Reverse stand-off Voltage	$V_{RVM}$				5.0	V
Reverse Breakdown Voltage	$V_{BR}$	$I_T=1mA$	5.5	6.5	8.5	V
Reverse Leakage Current	$I_R$	$V_R=5.0V$		0.1	0.5	$\mu A$
Clamping Voltage (IEC 61000-4-5)	$V_C$	$I_{PP}=3.5A$			11	V
Clamping Voltage (IEC 61000-4-2)	$V_C$	$V_{ESD}=8kV$		10		V
Junction Capacitance	$C_J$	$V_R=0V, f=1MHz$		2.7	3.5	pF

**Typical Characteristics** ( $T_{amb} = 25\text{ }^{\circ}\text{C}$  unless otherwise specified)



**Package Dimensions**



**Marking****Ordering information**

Order code	Package	Packaging option	Base quantity	Packaging specification
CL05P3PB0603	DFN0603	Tape and reel	10000pcs / reel	EIA STD RS-481

**Revision history**

Date	Revision	Changes
23-May-2012	1.0	Initial release
23-July-2018	2.0	Base quantity Change:from15K to 10K