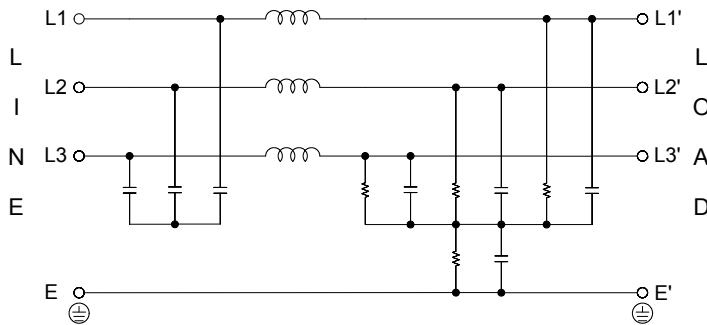


Technical data and measuring conditions

- Rated current: 7~180A@50°C
- Max. continuous operating voltage: 3x600 / 347VAC
- Operating frequency: dc to 60Hz
- Operating temp.: -25°~ + 100° (25/100/21)
- Hi-pot. test voltage (for 2 sec.):
P to E: 2750 VDC
P to P: 2250 VDC
- Protection category: IP20
- Flammability corresponding to: UL 94V-2 or better
- MTBF@50°C/400V(Mill-HB-217F): 300,000 hours
- Design corresponding to: UL1283, UL60939, CSA 22.2 No.8-13, IEC/EN60939
- Overload capability: 4 x rated current at switch on; 1.5 x rated current for 1 min., once per hour



Electrical schematic



Marketing applications

- HVAC system
- Motor driver
- Process control system
- Power management system
- Robotics

Features

- Excellent conducted attenuation performance
- Current rating 7~180A
- Extremely low leakage current values
- Light weight metal housing design
- Alternative performance grade
- Touch-safe connections with hinged safety covers for quick, reliable ring lug wiring

Filter selection table

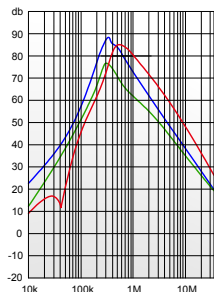
Filter PRJ No.	Rated Current @50°C [A]	Typical Drive* Power Rating [kW]	Leakage Current** @600VAC/50Hz [mA]	Power Loss @25°C/50Hz [W]
07SCB58	7	4	4.7	3.8
16SCB58	16	7.5	4.7	6.1
30SCB58	30	18.5	4.7	11.8
42SCB58	42	22	4.7	15.7
55SCB58	55	37	4.7	25.9
75SCB58	75	45	4.7	32.2
100SCB58	100	55	4.7	34.5
130SCB58	130	75	4.7	43.1
180SCB58	180	110	4.7	58.3

*Calculated at rated current, 600 VAC and cos phi = 0.8. The exact value depends upon the efficiency of the drive, the motor and the entire application.

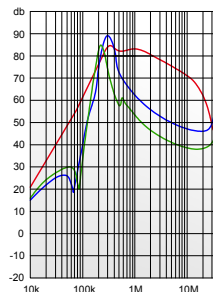
**Standardized calculated leakage current acc. IEC60939 under normal operating conditions.

Filter attenuation Insertion loss (dB) in 50Ω system CISPR 17

Common mode / Asymmetrical (P-E)

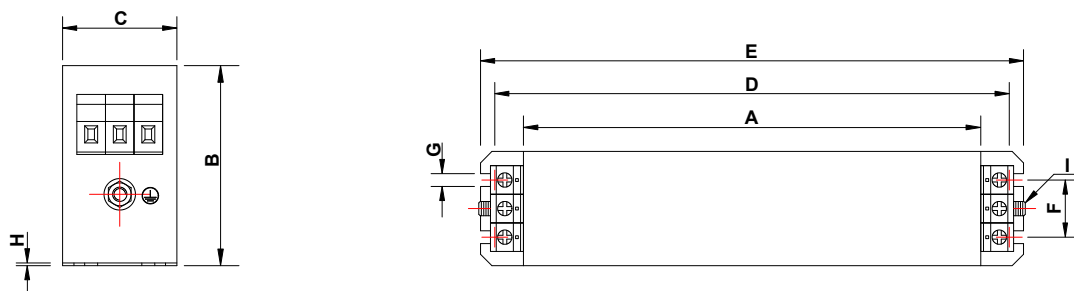


Differential mode / Symmetrical (P-P)



7A~42A ————
55A~100A ————
130A~180A ————

Mechanical drawing



Dimensions (unit: mm) Tolerances according to ISO 2768-m / EN 22768-m

Code	7A	16A	30A	42A	55A	75A	100A	130A	180A
A	160	220	240	280	220	240	240	240	350
B	70	70	85	85	90	135	150	150	170
C	40	45	50	50	85	80	90	90	120
D	180	235	255	295	235	255	255	255	365
E	190	250	270	310	250	270	270	270	380
F	20	25	30	30	60	60	65	65	102
G	4.5	5.4	5.4	5.4	5.4	6.5	6.5	6.5	6.5
H	1	1	1	1	1	1	1	1	1.2
I	M5	M5	M5	M5	M6	M6	M10	M10	M10

Input / Output connectors cross sections

Input / Output connectors	7~16A	30~42A	55~75A	100~130A	180A
Solid wire	10mm ²	16mm ²	35mm ²	50mm ²	95mm ²
Flex wire	6mm ²	10mm ²	25mm ²	50mm ²	95mm ²
AWG type wire	AWG 8	AWG 6	AWG 2	AWG 1/0	AWG 4/0
Recom. torque	1~1.2Nm	1~1.2Nm	1.8~2Nm	2.3~2.5Nm	17~20Nm